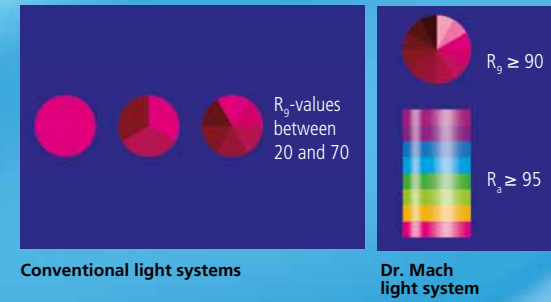


Advantages of the Mach LED 150



Light quality and optics

Superior colour rendition

With colour rendering indexes R_v above 95 and R_g(red) above 90 the surgeon recognizes clearly the tiniest nuances of colour in tissue. The colour rendering index is R_v ≥ 95. For recognizing the exact colour spectrum of the wound the exact rendition of the red colour range is essential. R_g(red) ≥ 90 means for the surgeon a visibly better recognition of details. The colour spectrum of the wound is rendered naturally with rich contrast. The OT-light clearly provides welcome relief for your eyes.



Facetted multi-lens system

A multitude of computer-calculated facetted lenses guarantees homogeneity and lowest shadiness in the light field. Separately arranged optical systems, with one LED module, generate their own light field, which increases the contrast effect of the OT-light. Light intensities of 100.000 Lux can be attained without difficulty.



Focussing (optional)

The light field can be focused by turning the handle. The focussable light beam allows a punctual illumination of deepest wound channels with light intensity and an exact matching of the light field diameter with the size of the wound field.



Additional comfort

Cool light

The LED technology is much more effective than conventional light sources such as halogen bulbs. The heat radiation is reduced to a minimum without using any expensive filter technique. The temperature increase in the surgeon's head area is almost nonexistent.



Flow properties

During development high attention was paid to the performance of the new LED OT-lights in laminar-flow ceiling systems.



Mach LED 150

Dr. Mach
Medical lighting
+Technology



Mach LED 150

Small operating light system with LED technology

Dr. Mach GmbH & Co. KG

Flossmannstraße 28 · D-85560 Ebersberg
Phone: +49 (0) 8092 / 20 93-0 · Fax: +49 (0) 8092 / 20 93-50
www.dr-mach.com · e-mail: info@dr-mach.de

Subject to change without notice due to technical modification · 59000335 A01 · Version: 03/2014

Mach LED 150 small operating light



Mach LED 150 F / LED 150
100.000 Lux / 80.000 Lux

Handy small operating light
with the optional advantage
of focussing



Mach LED 150 with ceiling fixation



Mach LED 150 with wall fixation



Mach LED 150 mobile with four castors

Performance description

Mach LED 150

Superior colour rendition



Facetted multi-lens system



Cool light



Optimum flow properties

Easy maintenance

Mach LED 150 F

Additionally to the advantages
of the Mach LED 150:

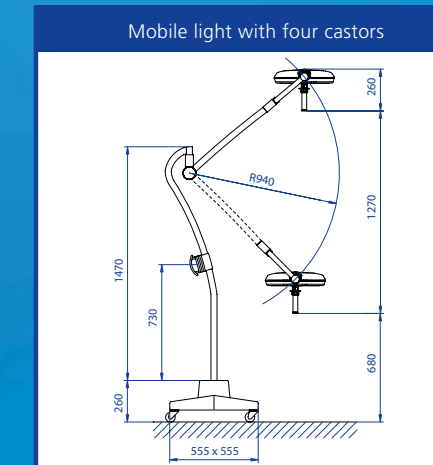
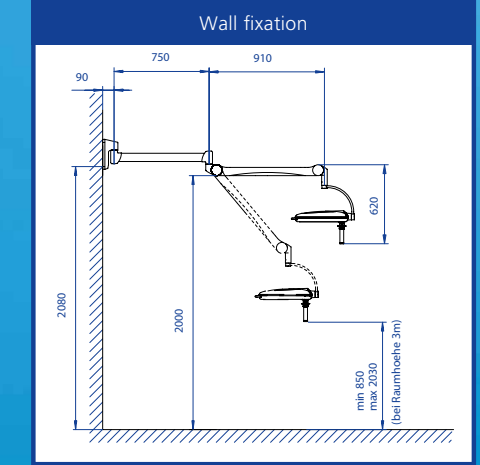
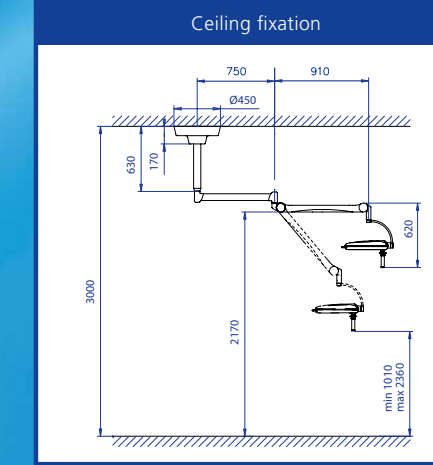
Focussing



Handling

2 functions
via
touch panel:

- on/off
- light intensity control



Dimensions in millimeter

Technical Data	Mach LED 150 light system ⁽¹⁾	Mach LED 150 F ⁽²⁾	Mach LED 150 ⁽³⁾
Light intensity in Lux at 1 meter distance		100.000	80.000
Colour rendering index R _a ⁽⁴⁾		≥ 95	≥ 95
Colour rendering index R _s ⁽⁵⁾		≥ 90	≥ 90
Focussable light field size (in cm)		14 - 25	17 (fixed focus)
Colour temperature (Kelvin)		4300	4300
Electronic light intensity control at the lamphead		50 - 100%	50 - 100%
Temperature increase in the head area		0,5° C	0,5° C
Total power consumption		35 W	35 W
Light source LED		24	24
Diameter of light head (in cm)		38	38
Working distance (in cm)		70 - 140	70 - 140
Height adjustment (in cm)		118	118

(1) external power supply
 (2) F-models with focussing
 (3) models with fixed focus
 (4) R_a is an average of R₁ = burnt pink, R₂ = mustard yellow, R₃ = yellow green, R₄ = light green, R₅ = turquoise blue, R₆ = skyviolet, R₇ = violet, R₈ = lilac. Maximum value = 100.
 (5) R_s is the value for the rendering of the colour red. This is not used in calculating the general colour rendering index R_a. The values for conventional operating lights are between 20 and 70. Maximum value = 100. Values of more than 90 allow the surgeon to recognise details better in the wound area.